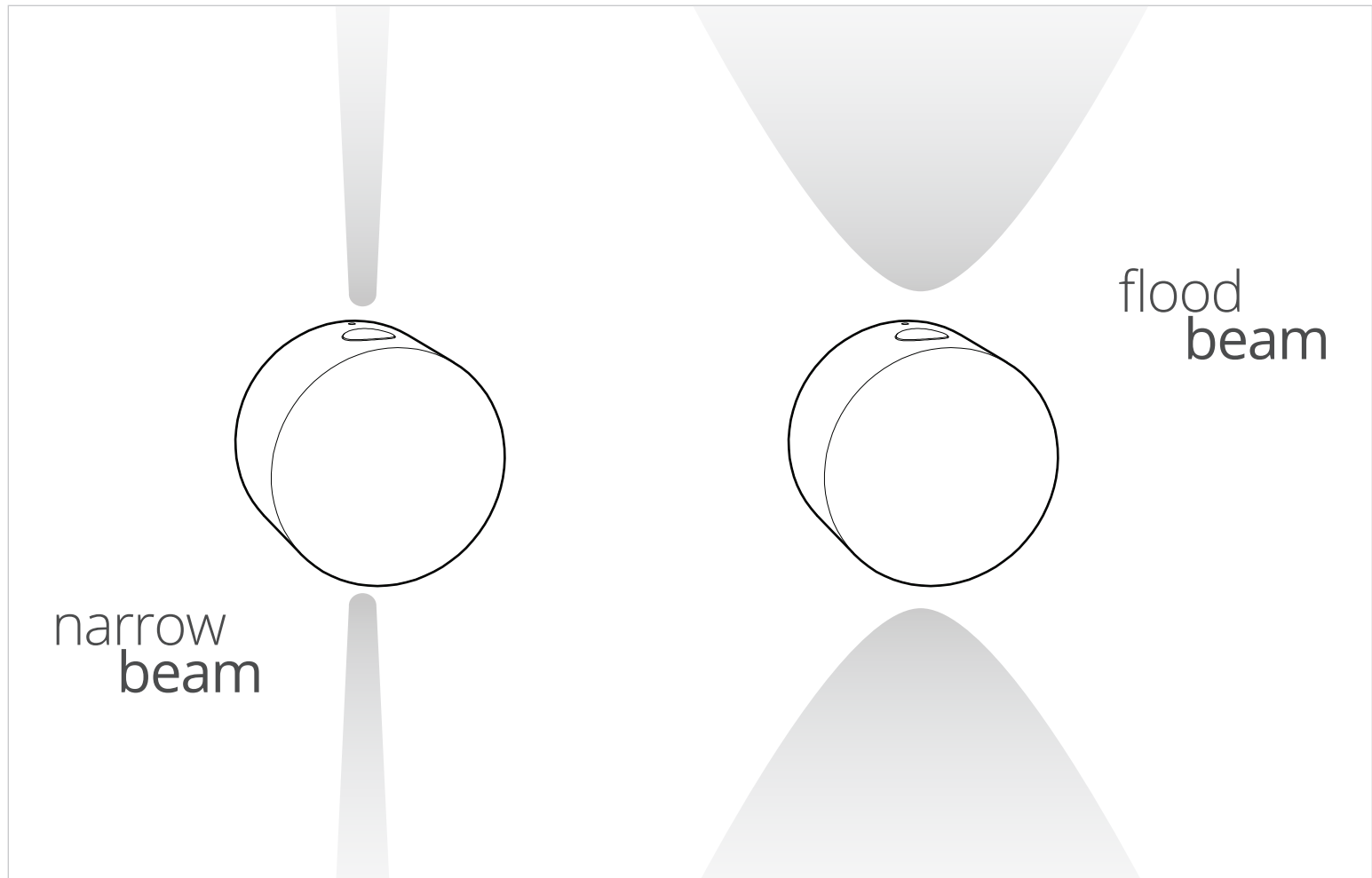




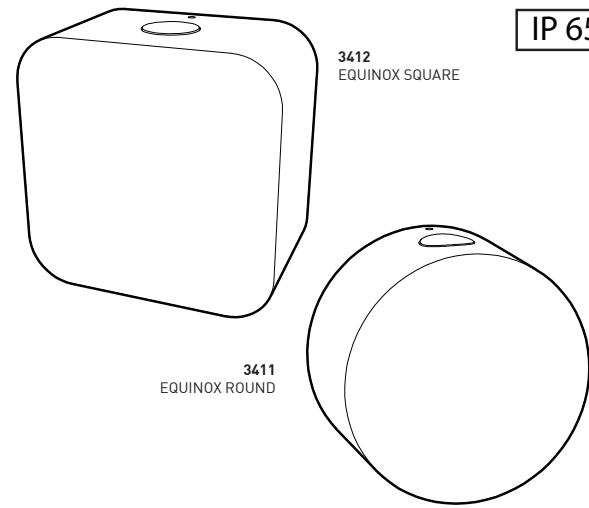
“ Modern square or round shape with slim profile featuring two cylindrical windows that creates a graphic statement. ”



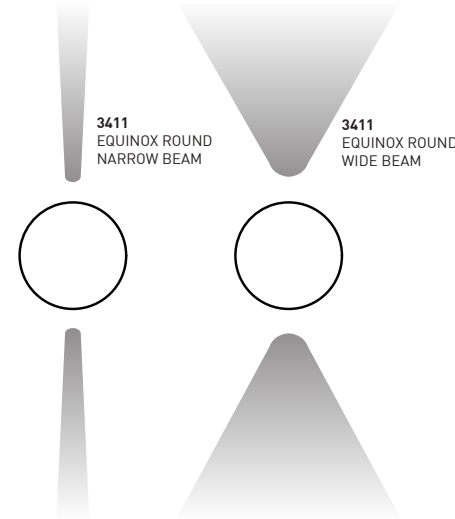
Anatomy



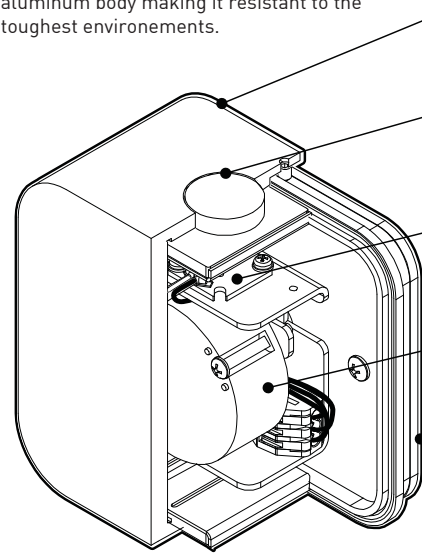
EQUINOX



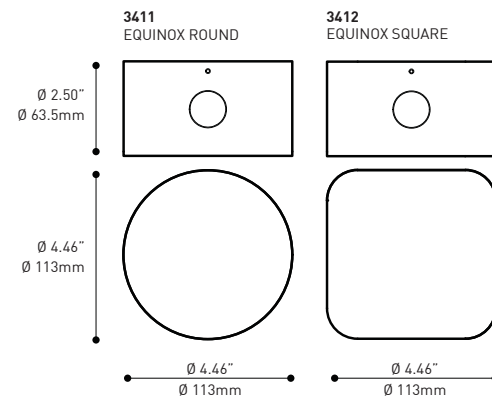
IP 65 UL WET



HEAVY DUTY
The EQUINOX features a thick machined aluminum body making it resistant to the toughest environments.



- ADA COMPLIANT**
Conform to ADA regulations as it extends less than 4" from the installation surface
- GRAPHIC STATEMENT**
Modern square or round shape with slim profile creating a graphic statement with the option of narrow or wide beam angles
- HIGH POWERED LED**
Dual HIGH POWERED LED achieving the desired light effect with minimum wattage consumption
- INTEGRATED DRIVER**
The electronic driver is included in the product
- WEATHERPROOF**
Self-adhesive gaskets
Fully sealed machined aluminum body
Pressed crystal glass
Anthracite or black exterior grade finish
Stainless Steel hardware



CHARACTERISTICS 3411 / 3412

LIGHT SOURCE	2 x 2W HIGH POWER LED on MCPCB - Total $\pm 4\text{W}$
MODULE	UL Recognized, Made in the U.S.A.
DELIVERED LUMENS*	450lm (4000K)
CRI	80 CRI (typical)
HOUSING	Machined aluminum, anthracite or black fine texture (exterior) or satin aluminum finish (indoor only)
LIGHT DISTRIBUTION	Wide or Narrow beams available
OPTICS	Crystal clear glass openings
GASKETS	Die-cut self-adhesive silicone gasket
VOLTAGE	120V
DRIVER	Constant current 700mA, UL recognized
LM-79	On request
WARRANTY	5 years

* Results for 2FL beam option

Photometric Report

341X-2NS-LED402X2
Equinox RD or SQ - NARROW BEAM - 4000K - 2x2W

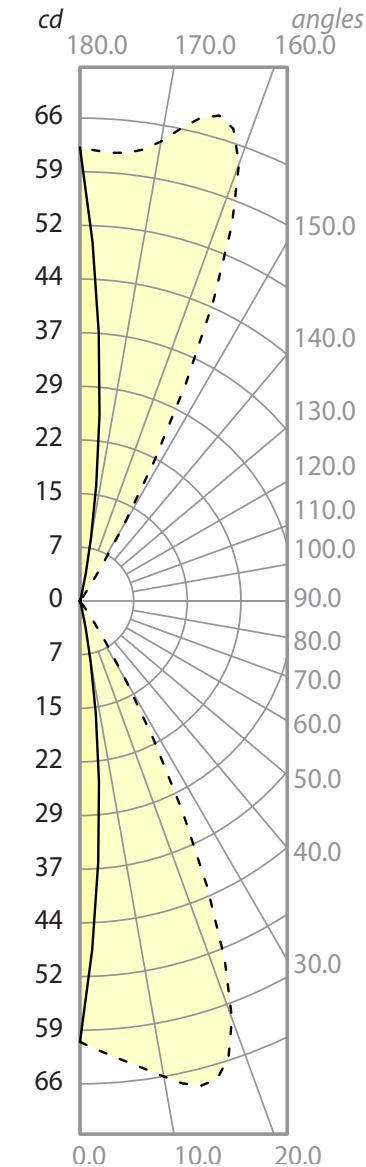
Number of lamps:	2
Lumens per lamp:	225
Input watts:	4.9
Distribution:	Direct-Indirect
Efficiency:	5.7
Photometric type:	C

Luminous dimensions

Luminous shape:	Rectangle
Units:	Feet
0-180 Axis:	0.21
90-270 Axis:	0.37
Height:	0.37

Luminaire spacing criteria

2 luminaires, plane 0:	0.91
2 luminaires, plane 90:	0.19
4 luminaires:	0.31



341X-2FL-LED402X2
Equinox RD or SQ - FLOOD BEAM - 4000K - 2x2W

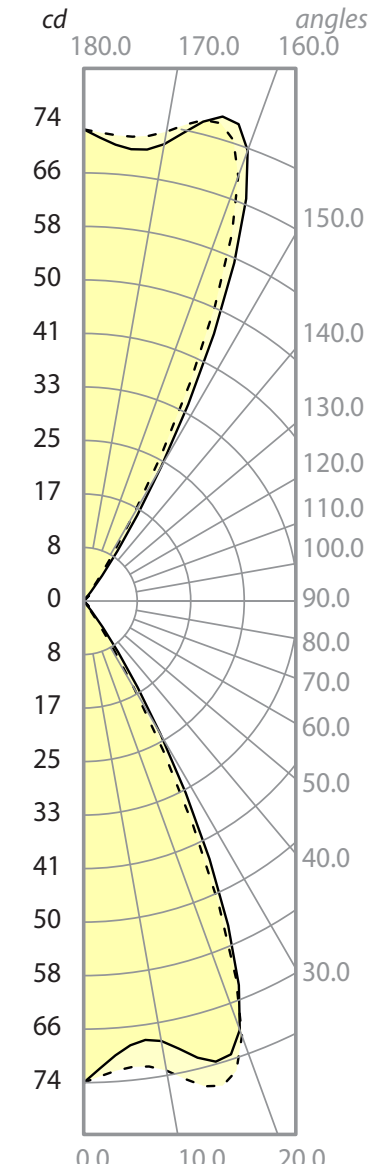
Number of lamps:	2
Lumens per lamp:	225
Input watts:	4.9
Distribution:	Direct-Indirect
Efficiency:	5.7
Photometric type:	C

Luminous dimensions

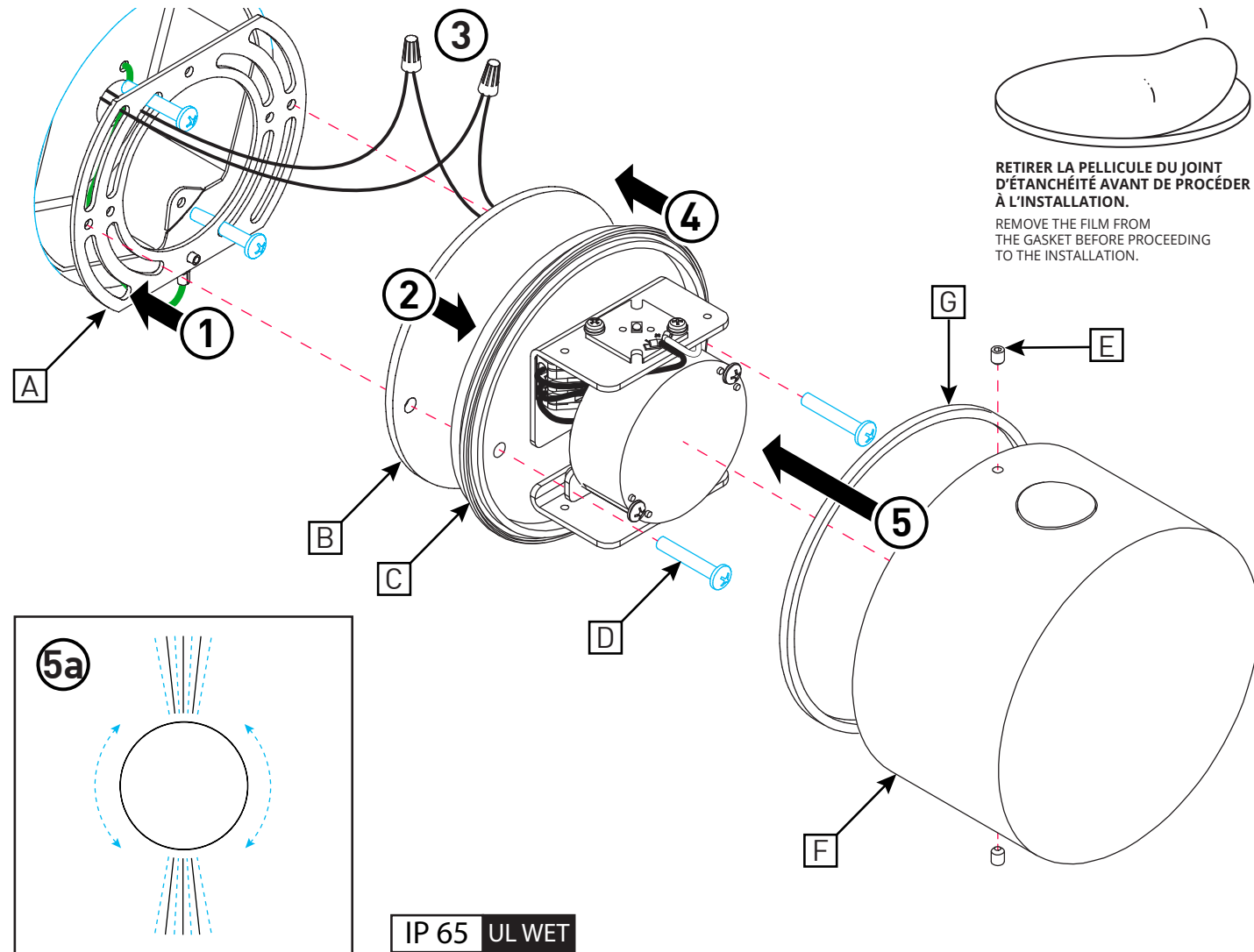
Luminous shape:	Rectangle
Units:	Feet
0-180 Axis:	0.21
90-270 Axis:	0.37
Height:	0.37

Luminaire spacing criteria

2 luminaires, plane 0:	0.86
2 luminaires, plane 90:	0.91
4 luminaires:	0.75



Installation Instructions



INSTALLATION

UNTIGHTEN THE TWO SET SCREWS [E] THEN TAKE OFF THE COVER [F]. FREE THE FRAME [C] FROM THE UNIVERSAL PLATE [A] BY REMOVING THE TWO SCREWS [D].

1- INSTALL THE UNIVERSAL PLATE [A] WITH TWO #8-32 SCREWS (NOT SUPPLIED) AND GROUND THE GREEN WIRE TO THE JUNCTION BOX.

2- FOR INSTALLATION IN A WET ENVIRONMENT, AFFIX THE SILICONE GASKET [B] TO THE BACK OF THE STRUCTURE [C].

3- CONNECT THE FIXTURE USING 2 WIRE NUTS (NOT SUPPLIED) FOLLOWING THE INDICATIONS ON THE ELECTRONIC DRIVER (THE DRIVER SHAPE CAN VARY FROM THE ILLUSTRATION). IMPORTANT: DO NOT ALTER THE CONNECTIONS INSIDE THE FIXTURE.

4- FIX THE STRUCTURE [C] TO THE UNIVERSAL PLATE [A] USING THE SCREWS [D]. IMPORTANT: ALIGN THE LIGHT IN DESIRED DIRECTION. FILL ANY GAPS BETWEEN WALL AND BACKPLATE [A] WITH SILICONE CAULKING (NOT SUPPLIED)

5a - ROTATE HORIZONTALLY THE COVER [F] SO THE TOP AND BOTTOM LIGHT BEAMS ARE ALIGNED VERTICALLY.

5- INSTALL THE SILICONE GASKET RING [G]. ALIGN COVER [F] SO OPENINGS ARE CORRECTLY POSITIONED OVER THE LED AND SCREW IT IN PLACE USING THE TWO SET SCREWS [E].

INSTALLATION

AVANT DE COMMENCER, DESERRER LES 2 VIS DE PRESSION [E] POUR ENLEVER LE COUVERCLE [F]. SÉPARER LA PLAQUE RONDE [C] DE LA PLAQUE UNIVERSELLE [A] EN RETIRANT LES VIS [D].

1- INSTALLER LA PLAQUE UNIVERSELLE [A] AVEC DEUX VIS #8-32 (NON INCLUSES) ET FIXER LE FIL VERT À LA BOÎTE DE CONNEXION.

2- POUR UNE INSTALLATION DANS UN ENVIRONNEMENT MOUILLÉ, COLLER LE JOINT D'ÉTANCHÉITÉ [B] À L'ENDOS DE LA PLAQUE RONDE [C].

3- CONNECTER LES FILS DU LUMINAIRE À L'AIDE DE DEUX CONNECTEURS (NON INCLUS) EN RESPECTANT LES INDICATIONS INSCRITES SUR L'ÉTIQUETTE DU PILOTE (LE PILOTE PEUT DIFFÉRER DE CELUI ILLUSTRÉ). IMPORTANT: NE PAS MODIFIER LES CONNECTIONS À L'INTÉRIEUR DU LUMINAIRE.

4- FIXER LA STRUCTURE [C] À LA PLAQUE UNIVERSELLE [A] À L'AIDE DES VIS [D]. IMPORTANT: ORIENTER LA LUMIÈRE EN DIRECTION VOULUE. REMPLIR DE SILICONE (NON INCLUS) TOUTE OUVERTURE ENTRE LE MUR ET LA PLAQUE RONDE [B].

5a- AJUSTER LE COUVERCLE [F] POUR QUE LES DEUX FAISCEAUX DE LUMIÈRE SOIENT ALIGNÉS VERTICALEMENT.

5- INSÉRER L'ANNEAU DE SILICONE [G]. ORIENTER LE COUVERCLE [F] POUR QUE LES OUVERTURES SOIENT ALIGNÉES AVEC LES DEL ET FIXER CELUI-CI AVEC LES DEUX VIS DE PRESSION [E].



Equinox 3411 | 3412